

TORNADA PRO DB

3-Way Multimedia Speakers with Dual Bass Technology

MT3316

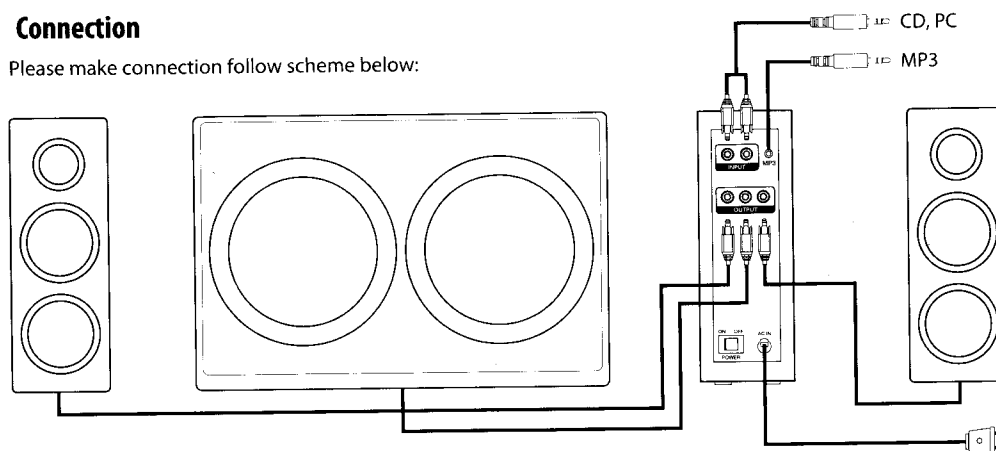
Instructions manual

Package includes

1. 2 x satellite speakers, 2. Woofer, 3. Sound processor, 4. Remote controller, 5. Cables, 6. Instruction manual

Connection

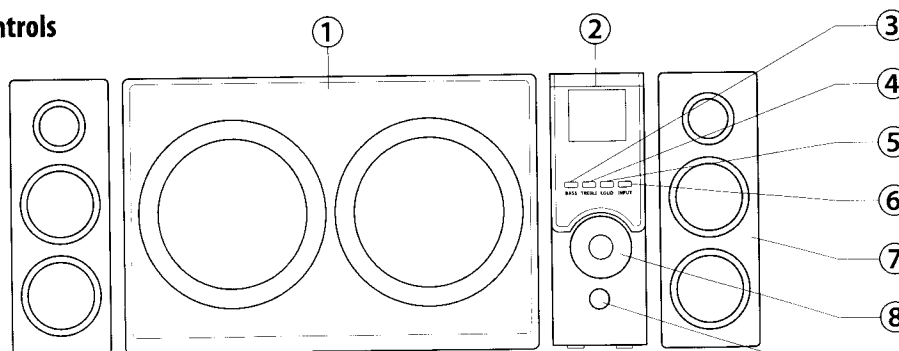
Please make connection follow scheme below:



OUTPUT – satellite and bass speakers output
INPUT – sound input

MP3 – mobile player signal input
POWER – power switch
AC IN – power cord 230V/50Hz

Controls



1. Woofer

2. Sound processor box

3. BASS – bass control

4. TREBLE – treble control

5. LOUD – increased amplitude

6. INPUT – choice of sound
signal input

7. Satellite speaker

8. VOLUME – volume control knob
and sound parameter control knob
for BASS and TREBLE

9. POWER – power button

General informations

Extremely high or low temperatures can damage speaker's case. Do not open the speakers case because high voltage inside. Warranty is void if unauthorized case opening occurs. All repairs must be performed by authorized service. Case can be clean with soft wipe and liquid cleaner for plastic surfaces.